

# ETHERNET TO FIBRE MEDIA CONVERTER



## Ethernet Media Converter

The LEMO Ethernet to fibre media converter has been designed to ensure reliable conversion in harsh environments. A pair of media converters enables the conversion of signal from Ethernet 100 BaseT copper networks to fibre optics and vice-versa. Using the converter allows the fibre optic signal to be transmitted over a long distance without loss of quality. The advantages are immunity to electromagnetic interference and increased security for sensitive information.

### Benefits

- single mode fibre
- cable  $\varnothing$  2.6 to 10.5 mm
- high shock and vibration resistance
- watertight IP 68
- reliable and secure, difficult to tap into the signal
- easy to deploy and operate
- LED indicators TX signal / RX signal / Power



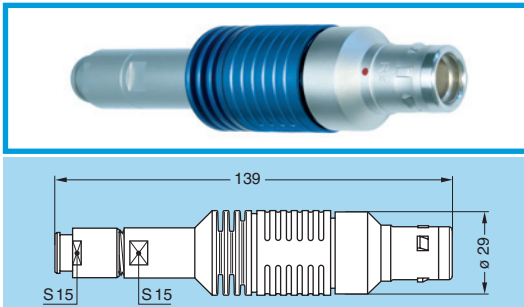
### Applications

- traffic light signals
- smoke and fire alert
- remote surveillance
- military environment
- industrial environment
- video security



### Technical characteristics

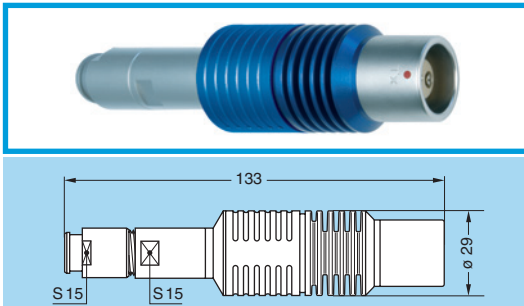
Characteristics	Values
Transmission wavelength	1310nm
Fibre type	Single mode 9/125 µm
Electrical inputs	10/100 BaseT Ethernet, 5V supply (280mA)
LD Optical Output	250 µW (Typical)
Photodiode Sensitivity	-37 to -5 dBm
Data Rate	125 Mbps (Max.)
Transmission Distance	over 20km
Protection index	IP 68 (when mated)
Temperature Range	-20°C to +85°C
Humidity range	Up to 95%



### FGG Ethernet converter with fibre optic plug and cable collet

Part number	Mating connector optical side
FGG.ME.3KA.CCZC••Z	PHG.3K.03A.CLZT••Z

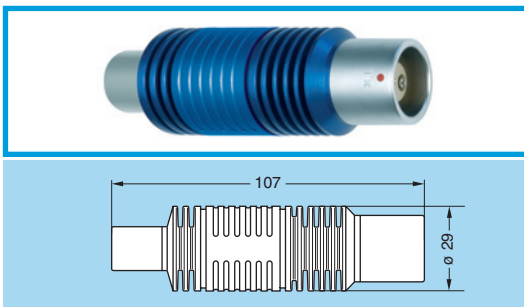
**Note:** replace •• by the cable diameter required (consult factory)



### PHG Ethernet converter with fibre optic socket and cable collet

Part number	Mating connector optical side
PHG.ME.3KA.CCZC••Z	FGG.3K.03A.CLZT••Z

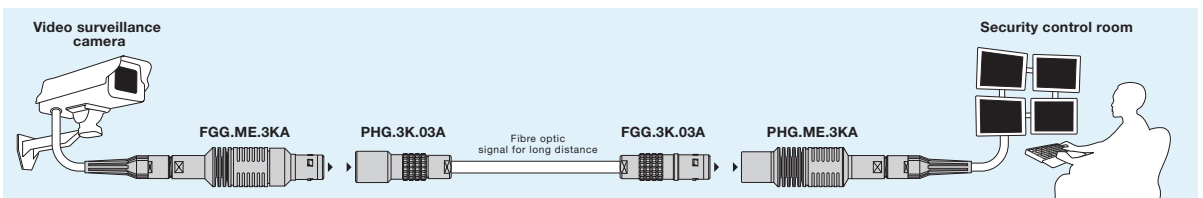
**Note:** replace •• by the cable diameter required (consult factory)



### PHG Ethernet converter with fibre optic socket and 1K series socket

Part number	Mating connector optical side	Mating connector electrical side
PHG.ME.3KA.CP1K06	FGG.3K.03A.CLZT••Z	FGG.1K.306.CLAC••Z

**Note:** replace •• by the cable diameter required (consult factory)



### LEMO HEADQUARTERS

SWITZERLAND  
LEMO SA  
Chemin des Champs-Courbes 28 - P.O. Box 194 - CH-1024 Ecublens  
Tel. (+41 21) 695 16 00 - Fax (+41 21) 695 16 02 - e-mail: info@lemo.com

[www.lemo.com](http://www.lemo.com)